

# RB SERIES

## HIGH PRESSURE CLOSED VESSELS

The RB Series™ is a portable instrumentation for measurement of the burning parameters (pressure-time profile, vivacity, pressure gradient, maximum pressure, force etc.) of gun propellants in the pressure range up to 5,000 bar. The RB Series is fully professional system for ignition, measurement and evaluation, coupled with selected closed vessel.



## APPLICATIONS

The RB Series apparatus is used for measuring the burning pressure profile of gun propellants.

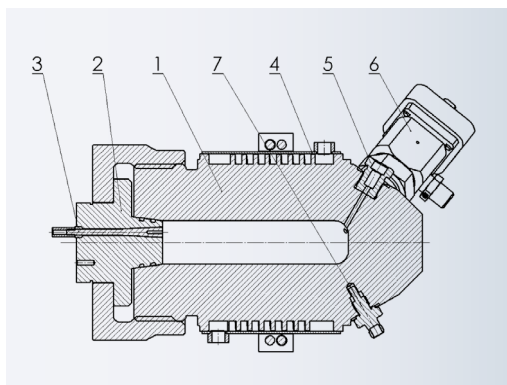
The RB Series are especially suitable for research, development and quality control in the manufacture and in-service surveillance of gun propellants.

## ADVANTAGES & FEATURES

- ▶ Heavy-duty closed vessels made of high-strength stainless steel
- ▶ Working pressure up to 5,000 bar
- ▶ 6,000 bar proof pressure tested by burning gun propellants
- ▶ An analyzer for proper electric ignition and signal analysis
- ▶ The ABSW™ software for operation and evaluation of results
- ▶ Unique design of the test vessels allows for easy access for their cleaning

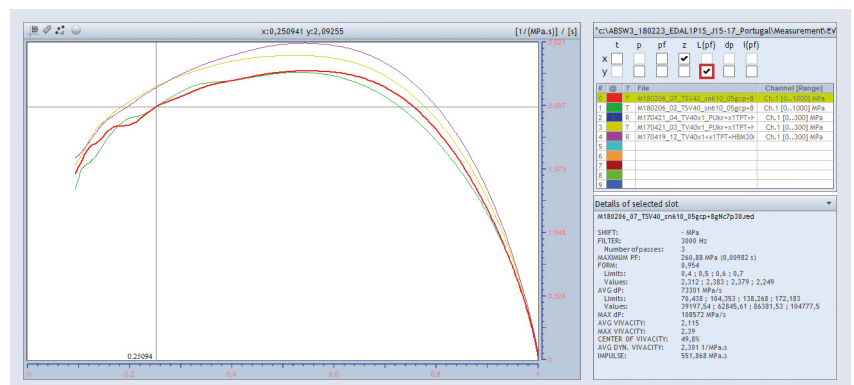
## COMPLIANCE

- STANAG 4115
- MIL-STD 286C



RB 200 vessel on support stand with Chiller unit and schematic vessel parts:

1. Pressure vessel
2. Breech nut with lid
3. Electrical ignition
4. Water cooling jacket
5. Pressure transducer adapter
6. Gas release valves
7. Temperature sensor



ABSW software – vivacity evaluation chart



### OZM Research s.r.o.

Bliznovice 32, 538 62 Hrochuv Týnec  
CZECH REPUBLIC / European Union

Tel.: +420 469 692 341

Mobile: +420 608 742 777

E-mail: ozm@ozm.cz

[www.ozm.cz](http://www.ozm.cz)